

The Alea fire pit is handmade by Dekko in North America. Ships with your choice of NG or LP burner, one decorative aggregate option and chrome On/Off key with adjustable flame control.

Size: 32"W x 32"D x 13"H
 Certification: CSA / UL Approved



	Manual Ignition	Electronic Ignition
BTU/Hr	60,000	125,000
Weight	115 lbs	115 lbs
Fuel Options	NG/LP	NG/LP

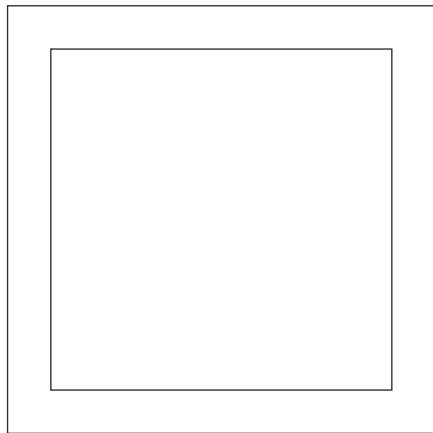
Optional Accessories:

Glass Wind Guard 25"W x 25"D x 6"H
 Propane Tank Cover 21"H x 16"W x 16"D
 Weather Cover

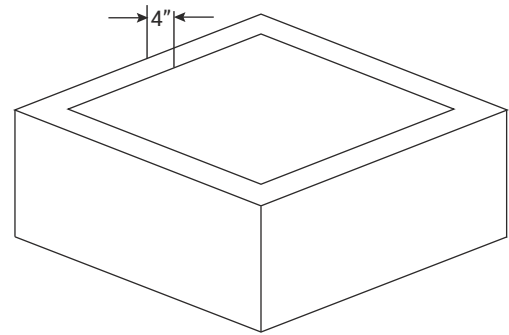
Color Options:



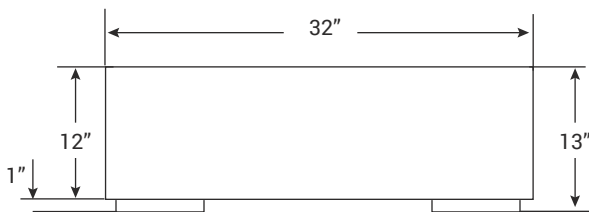
Decorative Aggregate Options:



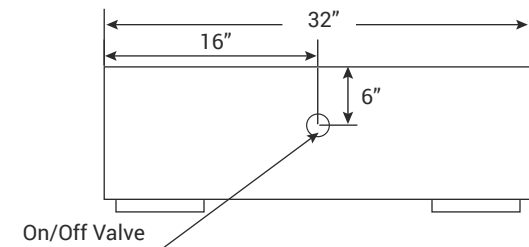
PLAN VIEW



PERSPECTIVE VIEW



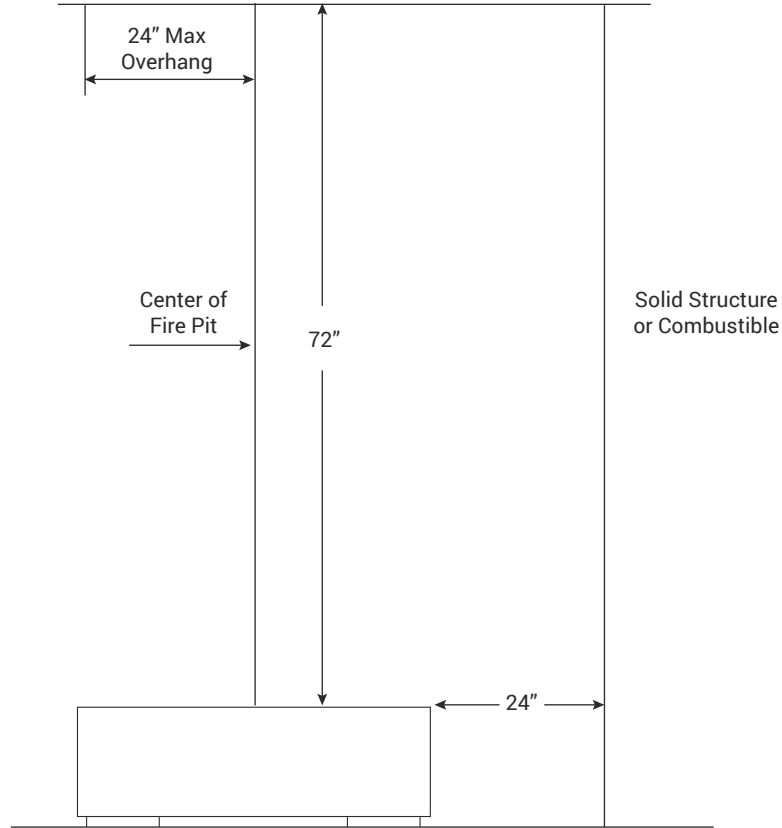
FRONT ELEVATION



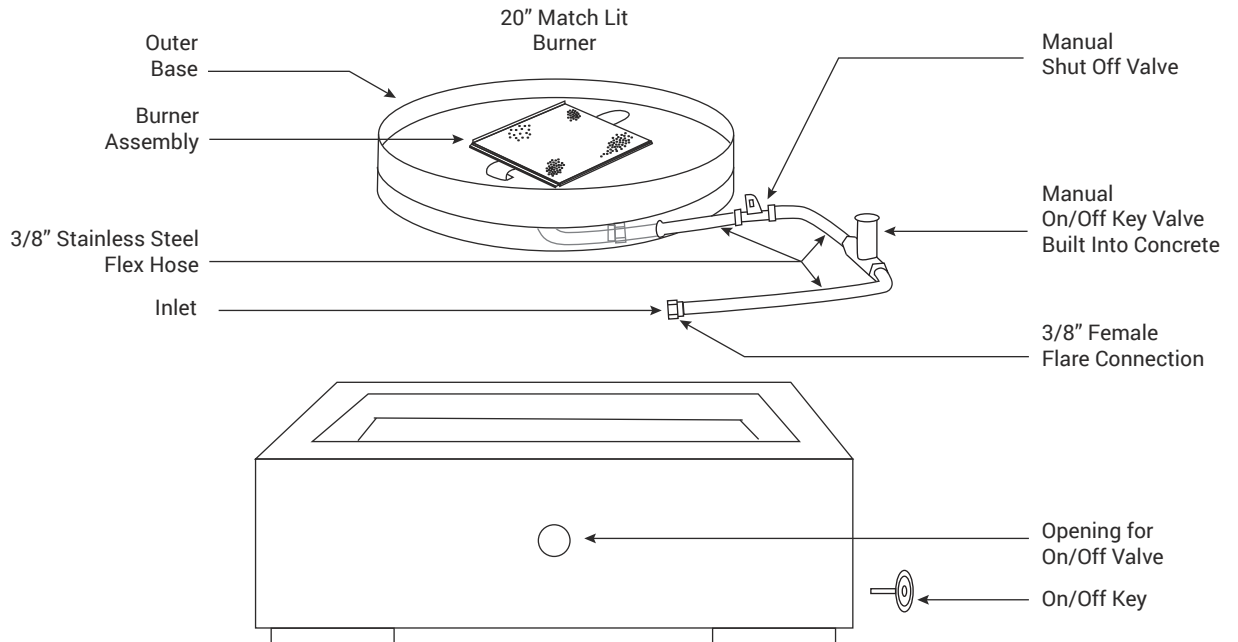
SIDE ELEVATION



Clearances:

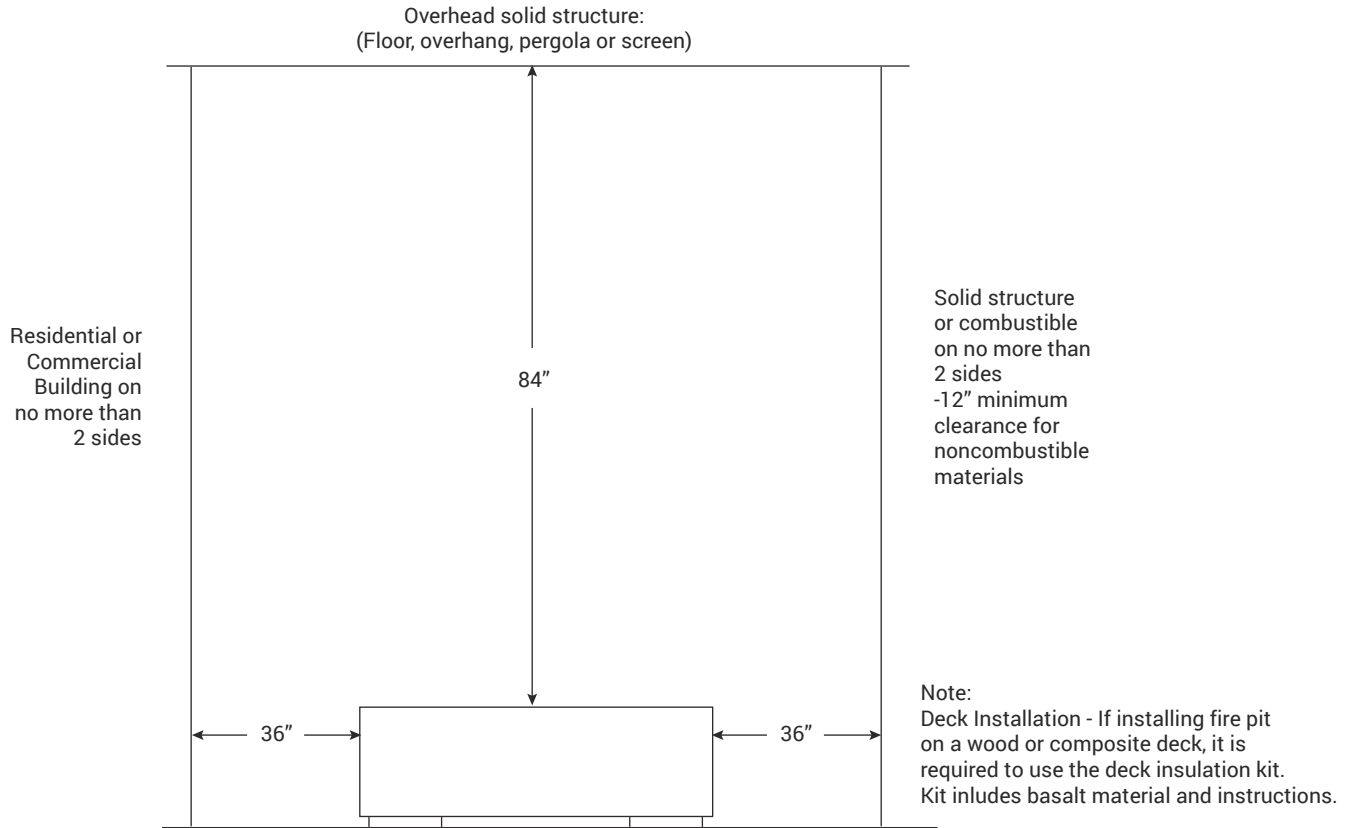


Burner Assembly:





Clearances:



Burner Assembly:

Electrical:

120V Outdoor receptacle required.
Must be installed and grounded in accordance with local codes.

