



ALEA 40

The 40" Alea fire pit is handmade by Dekko in North America. Ships with your choice of NG or LP burner, one decorative aggregate option and chrome On/Off key.

Size: 40"W x 40"D x 16"H
CSA/UL Approved Burner Assembly



	Manual Ignition	Electronic Ignition
BTU/Hr	65,000	90,000
Weight	177 lbs	177 lbs
Fuel Options	NG/LP	NG/LP

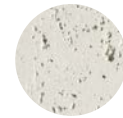
Optional Accessories:

- Propane Tank Cover 16"W x 16"D x 21"H
- Glass Wind Guard 31"W x 31"D x 6"H
- Vinyl Weather Cover
- Powder Coated Aluminium Table Top 40"W x 40"D

Colour Options



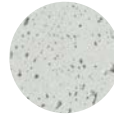
NATURAL



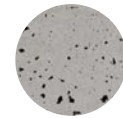
LIMESTONE



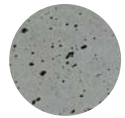
CLAY



ASH



SANDSTONE



CHARCOAL

Decorative Aggregate Options



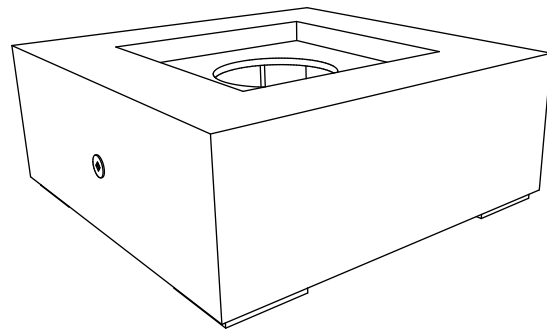
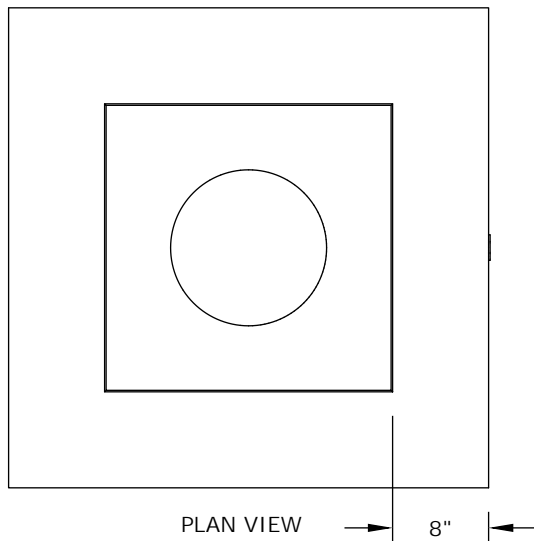
IVORY BEACH STONE



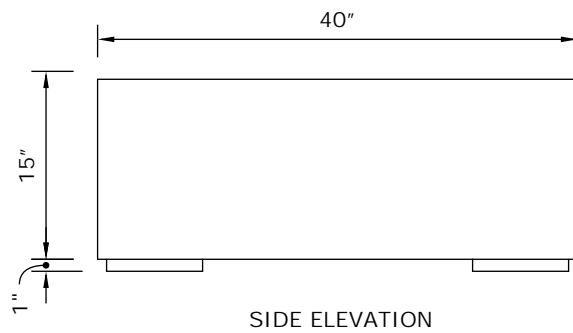
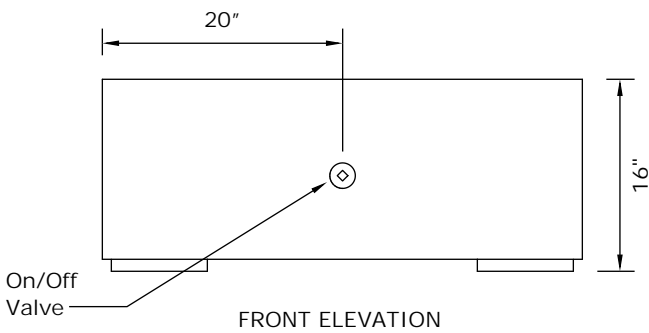
SLATE BEACH STONE



BLACK LAVA ROCK

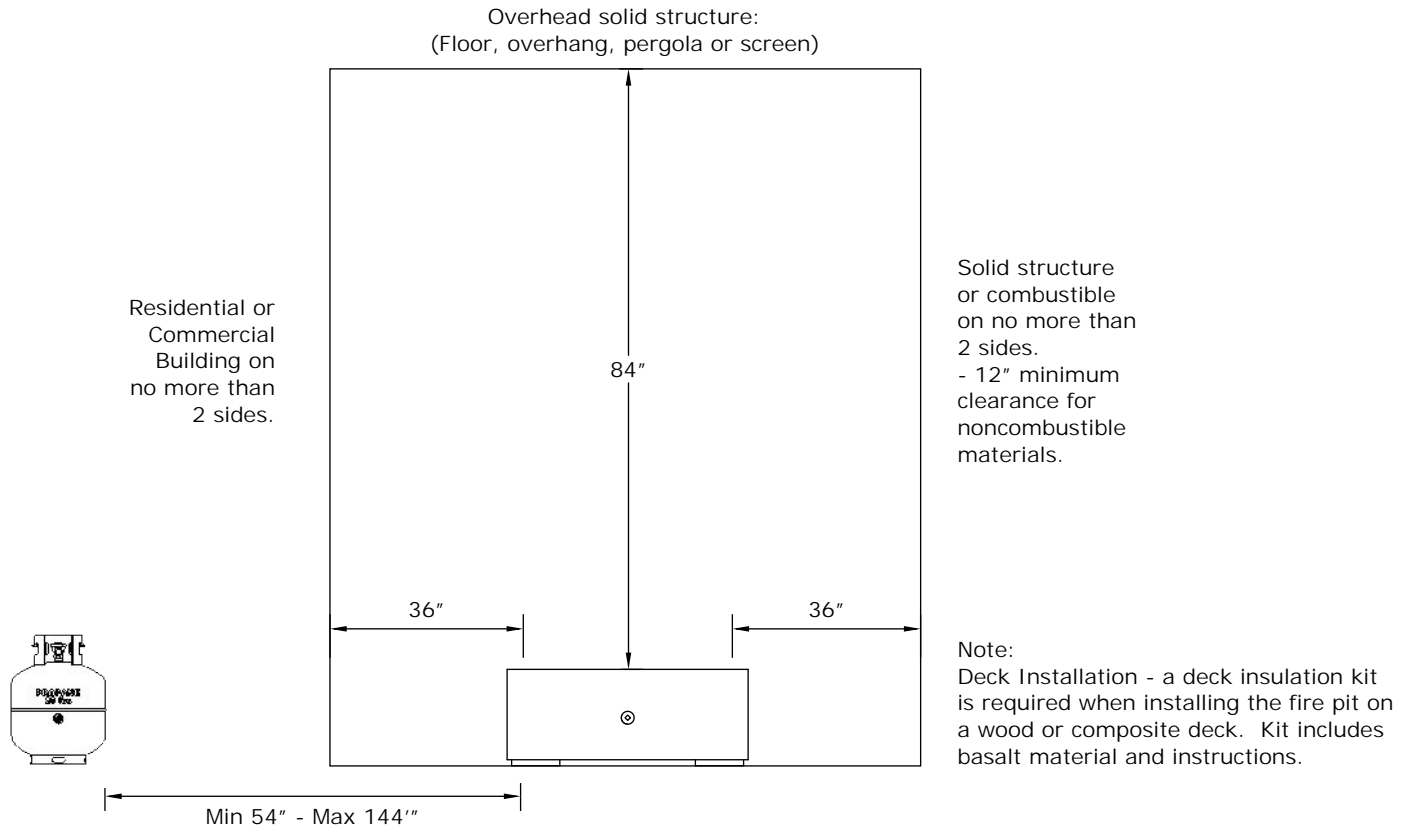


PERSPECTIVE VIEW

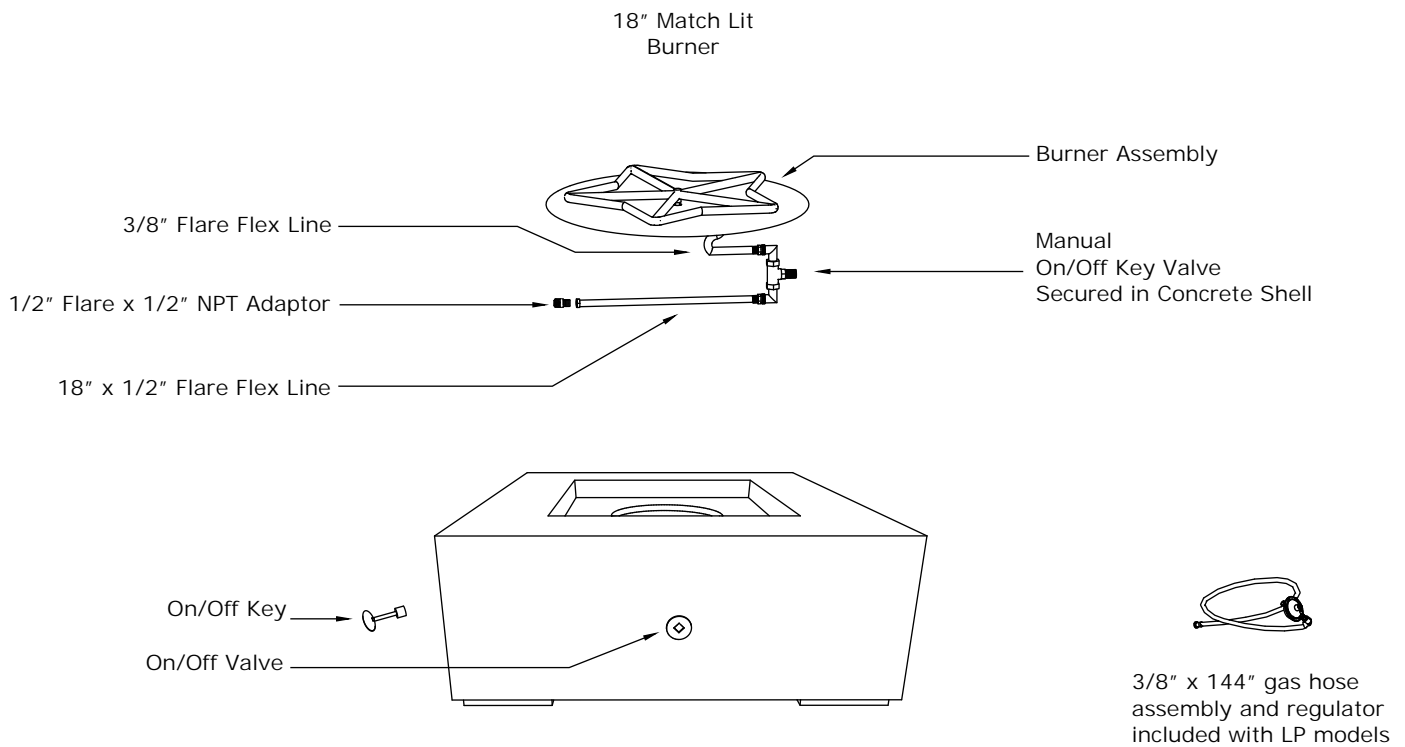




Clearances

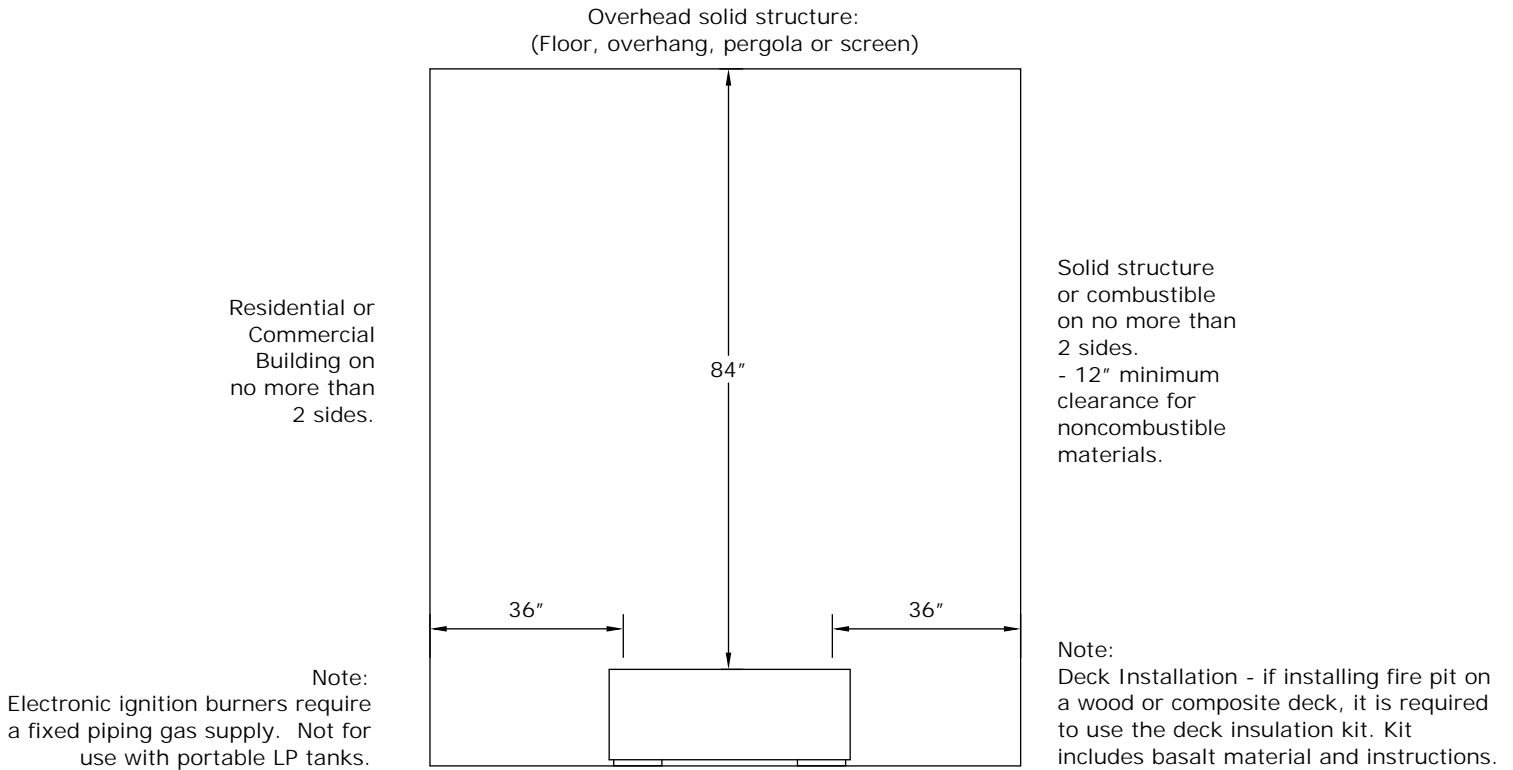


Burner Assembly





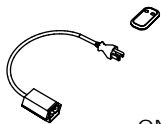
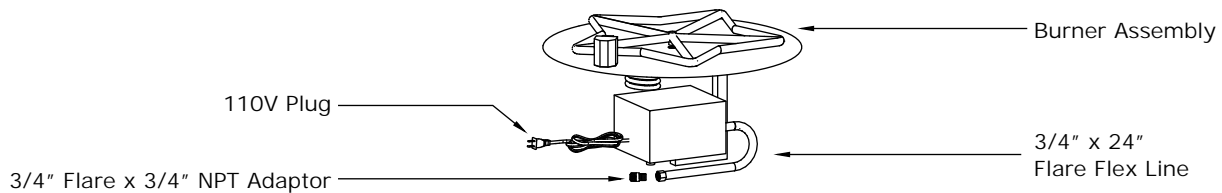
Clearances



Burner Assembly

Electrical:
120V Outdoor receptacle required.
Must be installed and grounded in accordance with local codes.

18" Electronic Ignition Burner



ON/OFF remote control included with Electronic Ignition models

